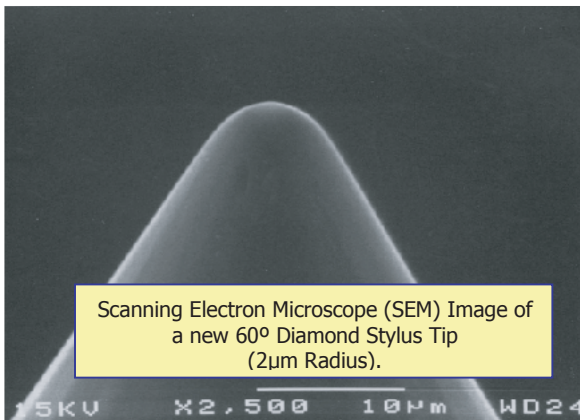
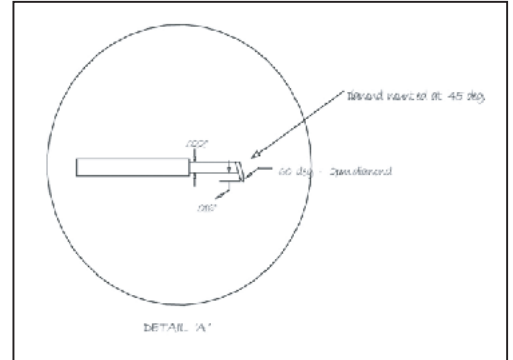


EMistyli Surface Texture and Roundness

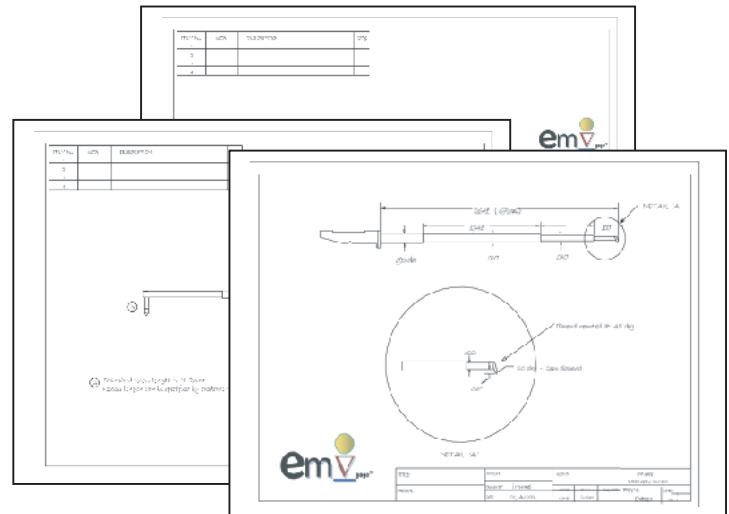
Surface Texture Styli: Highest quality diamond tips in either 60° or 90° configurations. Available Stylus Tip Radii: 2µm, 5µm, 10 µm (**0.3µm** and **0.7µm** tips are available upon request).

Roundness Styli: Large palette of styli for all applications. Ball diameters range from 0.3 mm – 10mm (Ruby or Carbide). Special tips available for custom applications.



Stylus Kits
OEM Replacement Styli
 Mahr, Mitutoyo, Taylor-Hobson, Zeiss TSK*

Standard and Custom Designs
Quality Workmanship



EMI GAGE
 28W144 Industrial Ave Suite # 120
 Lake Barrington, IL 60010-5939
 Tel: (847) 277-7511 Fax: (847) 277-7911



EMI GAGE is an independent supplier of support and accessories for surface texture and roundness measuring instruments for use in automotive, aerospace, medical and related industries.
 Not affiliated with OEM manufacturers Mahr, Mitutoyo, Taylor-Hobson, Zeiss TSK